

In solar energy applications it is often desirable to measure the 'tilted' global solar radiation at the angle of non-tracking (fixed) photovoltaic panels, in addition to the horizontal global radiation. Tilting a pyranometer provides the tilted global radiation that equals the incoming solar radiation within the view of a fixed angle PV panel.

Adjustable Tilt CMP Mounting Kit is designed to be installed on a horizontal surface and allows a CMP, CGR or CUV series instrument to be mounted at zenith angles from 0° to 90°, using a graduated scale.

The Adjustable Tilt CMP Mounting Kit can be fixed on a horizontal surface, but also on our 2AP and SOLYS 2 sun trackers with shading assembly, to measure tilted diffuse radiation. It has a clear scale in degrees and a secure locking device for easy adjustment.

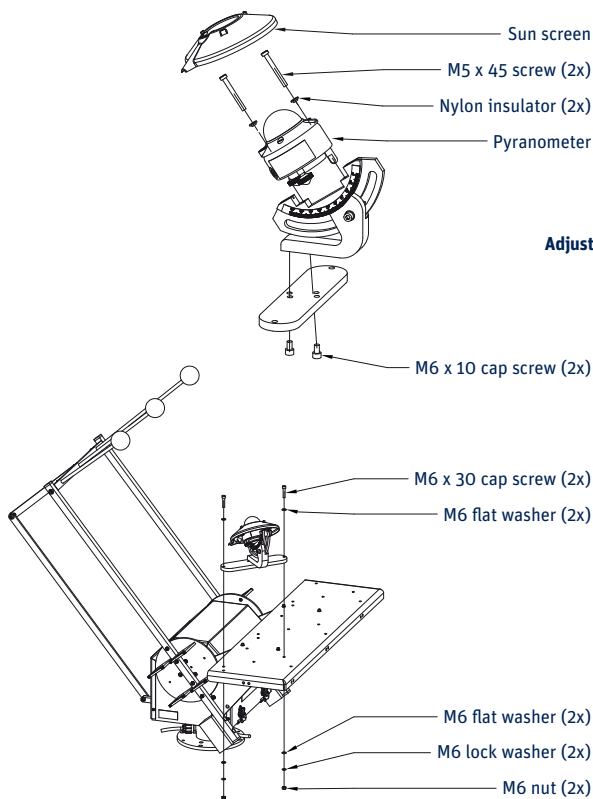
The kit can also be fitted to the CMF 2 mounting fixture for simple attachment to walls and poles using the CMB 1 mounting bracket.

It is not possible to use a ventilation unit with this mounting kit.

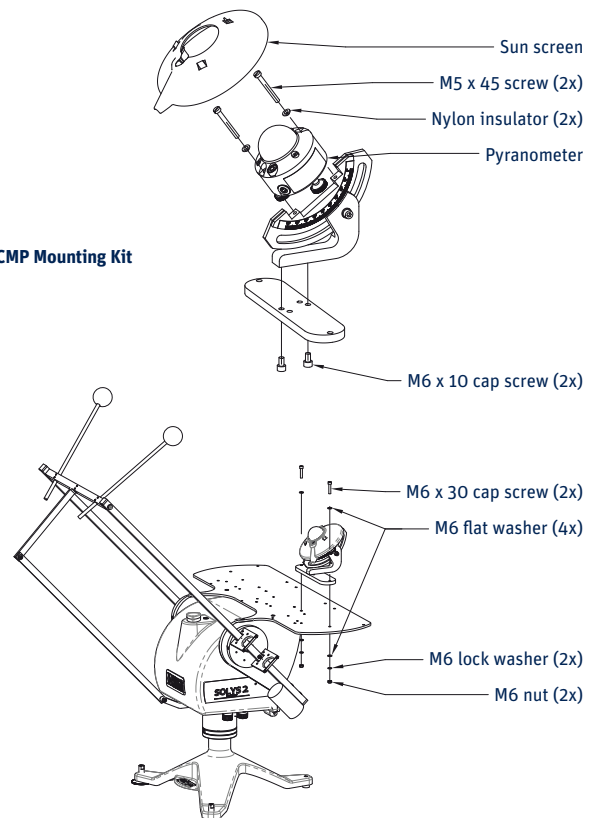
### Set-up

Especially when the pyranometer is not on the panel itself but located on a nearby weather station this kit can adjust the pyranometer to the correct angle. A horizontal surface is required to mount this kit on. When in doubt use the pyranometer bubble level to check if the surface is leveled. Remove the leveling feet and put the pyranometer bottom flat on the surface (or mounting plate). The bubble should be not more than half out of the black ring. When mounting the pyranometer on the tilted kit, the leveling feet are not required, but it is advised to leave them in the pyranometer. The azimuth orientation (east - west) should be identical to that of the panels. Normally on the northern hemisphere the direction is south. The zenith angle (up - down) should also be identical to that of the panel. This can be adjusted by loosening the screw on the side of the kit, tilt the pyranometer to the right angle and fasten it again.

### Installation on the 2AP



### Installation on the SOLYS 2



Adjustable Tilt CMP Mounting Kit

