



Applications

Solar Monitoring for PV
Weather Services
Climatology
Agriculture
Research

Create an albedometer with two pyranometers and a mounting fixture

Two pyranometers and a mounting
Large area for satellite data validation
In PV plants for bifacial modules
All ISO 9060 classes available
Analog or digital output
Easy to assemble

Albedometer

Two similar pyranometers are mounted horizontally, to measure incoming and reflected irradiances in W/m^2 . The ratio of the two is the albedo of the surface below.

Large area measurement

For meteorology, climate research and agriculture, the mounting is usually high up to measure albedo over a large area and to validate satellite data. A glare screen prevents direct radiation reaching the lower detector when the sun is low.

Bifacial PV

Bifacial PV modules generate extra power from light on the rear side that is primarily reflected from the surface below. However, this varies with the type of surface, weather conditions, angle of the sun and shading effects. These variables make it necessary to measure how the albedo

of the surface changes. The albedometer is mounted low, around 1.5 m, and does not need a lower glare screen.

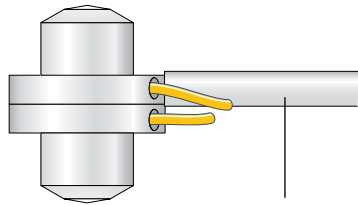
Select your preferred pyranometers

Choose pyranometers depending upon the ISO 9060 classification and signal output that you require. SP Lite2 and CMP3/SMP3 bolt together back-to-back and have a screw-in mounting rod.

Double-dome CMP/SMP pyranometers can be fixed to a CMF1 mounting plate and rod, or the larger CMF4 if you need CVF4 heating and ventilation units. For both configurations a glare screen for the lower pyranometer is available if required.

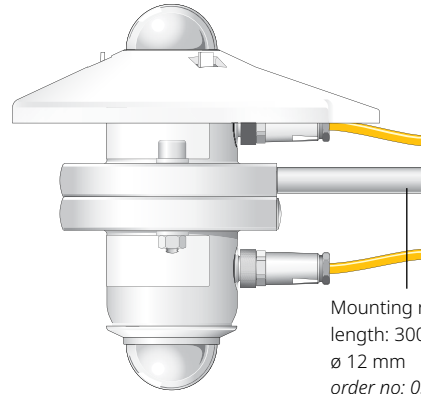
Options

SP Lite2



Mounting rod
length: 300 mm
ø 12 mm
order no: 0338720

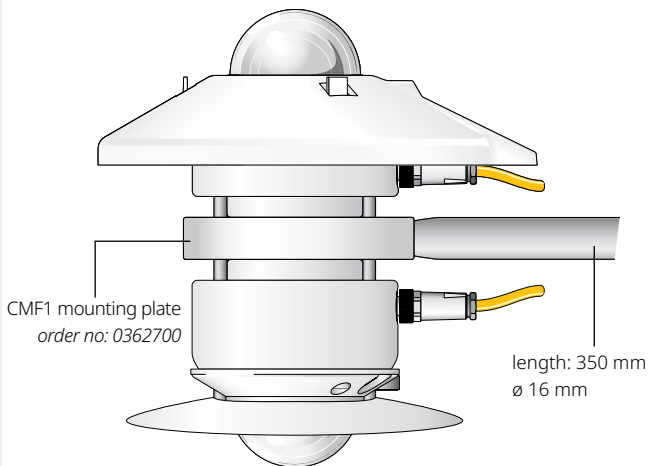
CMP3/SMP3



Mounting rod
length: 300 mm
ø 12 mm
order no: 0338720

Double dome CMP/SMP Albedometer Kit

with the lower glare screen, CMF1 mounting plate, and mounting rod



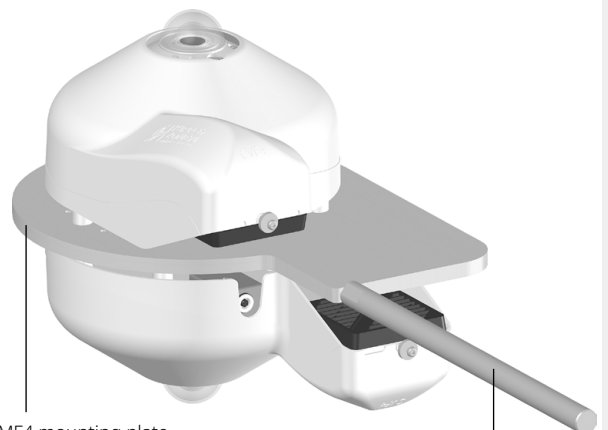
CMF1 mounting plate
order no: 0362700

length: 350 mm
ø 16 mm

Compatible with the CMP6, SMP6, CMP10, SMP10, CMP21, CMP22 and SMP22 pyranometers, CGR4 and SGR4 pyrgeometers and CUV5 and SUV5 broadband UV radiometers.

Ventilated double dome CMP/SMP Albedometer Kit

with CMF4 mounting plate and mounting rod



CMF4 mounting plate
order no: 0362703

length: 350 mm
ø 20 mm